



INSTALLATION & MAINTENANCE MANUAL

AMA1TSxx / AMA2TSxx / AMA3TSxx
AMA4TSxx

GENERAL INSTRUCTIONS

These instructions should be read carefully and retained after installation by the end user for future reference and maintenance.

These instructions should be used to aid installation of the following products:

AMA1TSxx / AMA2TSxx / AMA3TSxx / AMA4TSxx

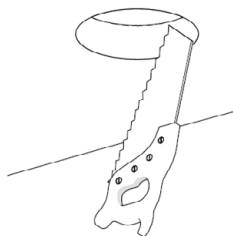
SAFETY

- This product must be installed in accordance with the latest edition of the IEE Wiring Regulations (BS7671) and current Building Regulations. If in any doubt, consult a qualified electrician
- Please isolate mains prior to installation or maintenance
- Please note the IP (Ingress Protection) rating of this product when deciding the location for installation
- Allow 50mm above and around the fitting for air dissipation (do not cover the fitting with insulation)
- This product is for indoor use only
- This product is Class II double insulated
- This product is IP20 rated

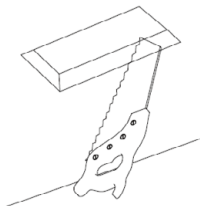
INSTALLATION

- Provide power to the required point of installation
- Cut a suitable hole in the mounting surface as per the cutout details (see Fig. 1) ensuring not to infringe with any joists, gas/water pipes or electrical cables

Single - 82mm



Double - 165 x 80mm
Triple - 245 x 80mm



Quad - 165 x 165mm

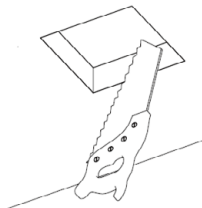
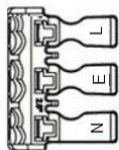


Fig. 1

- Connect the luminaire to the mains supply ensuring the correct polarity is observed (see Fig. 2):
L – Live (brown), E – Earth (green/yellow), N – Neutral (blue). The earth terminal is nonfunctional and only provided for convenience. Two cables can be inserted into the pushfit terminal block in order to achieve loop-in / loop-out wiring



Live (brown)

Earth (green & yellow)

Neutral (blue)

Fig. 2

- Remove the inner bezel by pulling it down and insert a suitable LED GU10 lamp (see Fig. 3)

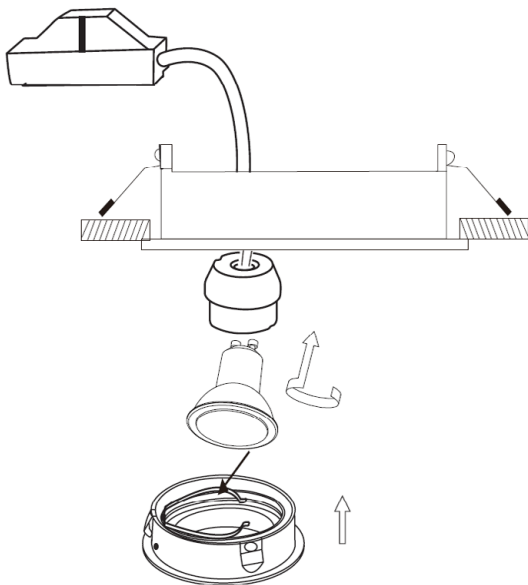


Fig. 3

- Reattach the inner bezel, lift the spring clips on the sides of the downlight and push into the ceiling
- Switch on and check for correct operation

GENERAL

Clean with a soft dry cloth only, do not use aggressive cleaning products or solvents which may damage the product.

This product is dimmable dependent on lamp type.

This product should be recycled in the correct manner when it reaches the end of its life. Check local authorities for where facilities exist.

WARRANTY

This product has a warranty of 5 years from date of purchase. Failure to install this product in accordance with the current edition of the IEE Wiring Regulations (BS7671), improper use, or removal of the batch code will invalidate the warranty. If this product should fail within its warranty period, it should be returned to the place of purchase for a free of charge replacement. ML Accessories does not accept responsibility for any installation costs associated with the replacement product. Your statutory rights are not affected. ML Accessories reserve the right to alter product specification without prior notice.

INTERNATIONAL
CONTACT DETAILS



230V
50Hz

IP20



ML
ACCESSORIES LTD



UK
CA CE



143

ML Accessories Limited LU5 4LT
www.mlaccessories.co.uk