

INSTALLATION & MAINTENANCE MANUAL

SK9909BC / SK9909BN / SK9909PC

GENERAL INSTRUCTIONS

These instructions should be read carefully and retained after installation by the end user for future reference and maintenance.

These instructions should be used to aid the installation of the following products: SK9909BC / SK9909BN / SK9909PC

SAFETY

- This product must be installed in accordance with the latest edition of the IEE Wiring Regulations (BS7671) and current Building Regulations. If in any doubt, consult a qualified electrician
- Please isolate mains prior to installation or maintenance
- Check the total load on the circuit (including when this product is fitted) does not exceed the rating of the circuit cable, fuse or circuit breaker
- Please note the IP (Ingress Protection) rating of this product when deciding the location for installation
- Do not overload this accessory or subject it to conditions outside its rating
- This product is Class I and must be earthed
- This product is IP54 rated (only when in the closed position with no appliances attached)

INSTALLATION

- Locate a suitable place to mount the product. The mounting surface should be a minimum of 10mm and a maximum of 50mm thickness, and there must be sufficient space beneath the surface when the product is in the closed position
- Cut a 90mm hole in the surface allowing a 25mm clearance around the hole (see Fig. 1)

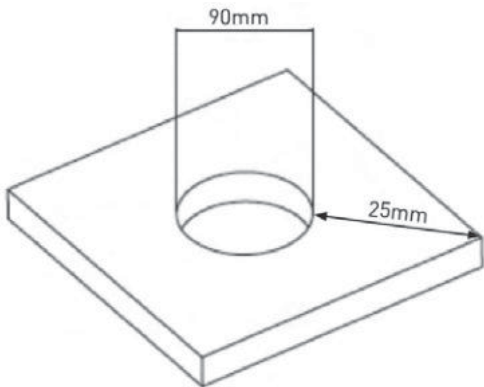


Fig. 1

- Remove the mounting collar by rotating anti-clockwise
- Insert the product through the hole, place into desired orientation, tighten the mounting collar to the underside, and secure using the three screws provided (see Fig. 2)

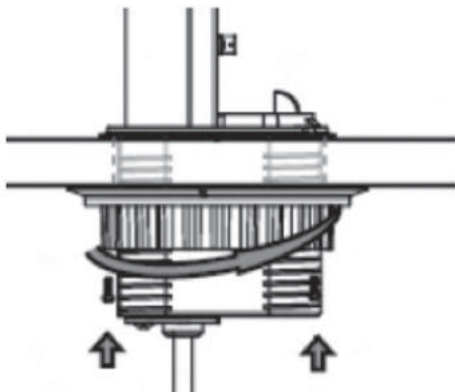


Fig. 2

- Connect to the mains power supply via the pre-wired cable and plug
- Switch on and check for correct operation

OPERATION

To raise the product, gently lift the handle on the top cover and pull upwards until it clicks to indicate it is locked into position. To lower, press the release button and push fully down (see Fig. 3).

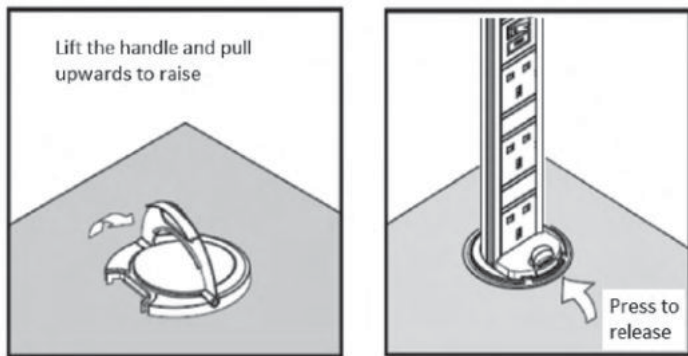


Fig. 3

USB CHARGING FUNCTION

This product is designed for charging portable USB devices only and contains a short circuit and overload protection feature. If there is no power from the USB socket unplug the connected device. Check to ensure the USB socket and USB device have not come into contact with water, liquid, or debris and the cable to the device is not damaged. With no device connected to the USB socket, it will automatically reset and be ready for use.

WARNING

This product must be disconnected from the circuit if subjected to any high voltage or insulation resistance testing. Irreparable damage will occur if this instruction is not followed.

GENERAL

This product should be recycled in the correct manner when it reaches the end of its life. Check local authorities for where facilities exist.
Clean with a soft dry cloth only, do not use aggressive cleaning products or solvents which may damage the product.

WARRANTY

This product has a warranty of 2 years from the date of purchase. Failure to install this product in accordance with the current edition of the IEE Wiring Regulations (BS7671), improper use, or removal of the batch code will invalidate the warranty. If this product should fail within its warranty period, it should be returned to the place of purchase for a free of charge replacement. ML Accessories does not accept responsibility for any installation costs associated with the replacement product. Your statutory rights are not affected. ML Accessories reserve the right to alter product specification without prior notice.



ML
ACCESSORIES LTD



**UK
CA** **CE**



11



Made in China

DCDEC20_V1