



INSTALLATION & MAINTENANCE MANUAL

**EXBDCKIT / EXBDWKIT**

## GENERAL INSTRUCTIONS

**These instructions should be read carefully and retained after installation by the end user for future reference and maintenance.**

**These instructions should be used to aid installation of the following products:  
EXBDCKIT / EXBDWKIT**

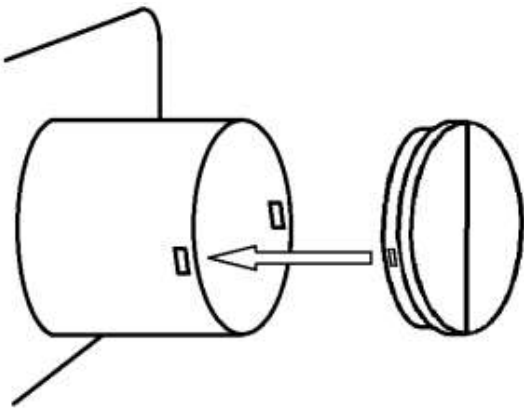
## SAFETY

- This product must be installed in accordance with the latest edition of the IEE Wiring Regulations (BS7671) and current Building Regulations. If in any doubt, consult a qualified electrician
- Please isolate mains prior to installation or maintenance

## INSTALLATION

- These backdraft kits are compatible with the EX003x, EX004x, EX005x and EX006x series of LED backlit extractor fans
- The EXBDCKIT has a lightweight flexible film which makes it suitable for installation in ceiling mounted or wall mounted fans
- The EXBDWKIT has dual spring loaded plastic flaps meaning it is only suitable for installation in wall mounted fans. Installation in ceiling mounted fans will reduce airflow and potentially be noisy

- As with all spring loaded backdraft shutters, the EXBDWKIT has the potential to be noisy when not in use if wind or air crossflow creates a difference in pressure between inside and outside. If this is problematic, the EXBDCKIT should be used instead
- Before installing the fan into the wall, align the tabs on the backdraft kit with the slots on the rear of the fan (see Fig. 1). This ensures that the kit will be in the correct orientation (with spine vertical)



**Fig. 1**

- If using ducting, this can be fitted with the backdraft kit in place
- Install the fan according to the installation instructions

## GENERAL

This product should be recycled in the correct manner when it reaches the end of its life. Check local authorities for where facilities exist.

## WARRANTY

This product has a warranty of 1 year from date of purchase. Failure to install this product in accordance with the current edition of the IEE Wiring Regulations (BS7671), improper use, or removal of the batch code will invalidate the warranty. If this product should fail within its warranty period, it should be returned to the place of purchase for a free of charge replacement. ML Accessories does not accept responsibility for any installation costs associated with the replacement product. Your statutory rights are not affected. ML Accessories reserve the right to alter product specification without prior notice.



**ML Accessories Limited LU5 4LT**  
**[www.mlaccessories.co.uk](http://www.mlaccessories.co.uk)**