

Knightsbridge

INSTALLATION & MAINTENANCE MANUAL FLPxxxx



230V
50Hz



IP
65

ML
ACCESSORIES LTD



RoHS
COMPLIANT



125

GENERAL INSTRUCTIONS

These instructions should be read carefully and retained after installation by the end user for future reference and maintenance.

These instructions should be used to aid installation of the following products:

FLP100 / FLP100A / FLP150 / FLP150A / FLP200 / FLP200A

SAFETY

- This product must be installed in accordance with the latest edition of the IEE Wiring Regulations (BS7671) and current Building Regulations. If in any doubt, please consult a qualified electrician
- Please isolate mains prior to installation or maintenance
- Check the total load on the circuit (including when this luminaire is fitted) does not exceed the rating of the circuit cable, fuse or circuit breaker
- Please note the IP (Ingress Protection) rating of this luminaire when deciding the location for installation
- This product is Class I and must be earthed
- This product is IP65 rated

INSTALLATION

Note - If this luminaire is being used in conjunction with an external PIR or sensor, please confirm with the manufacturer of the sensors that they are compatible with LED luminaires

- Provide power to the required point of installation (refer to BS7671 for correct cabling methods). Suitable IP rated junction boxes should be used where required
- Round cable should be used for the mains supply. The use of flat cable will cause water ingress to the fitting
- Remove the four screws on the access plate at the rear of the fitting to expose the terminal block (see Fig. 1)

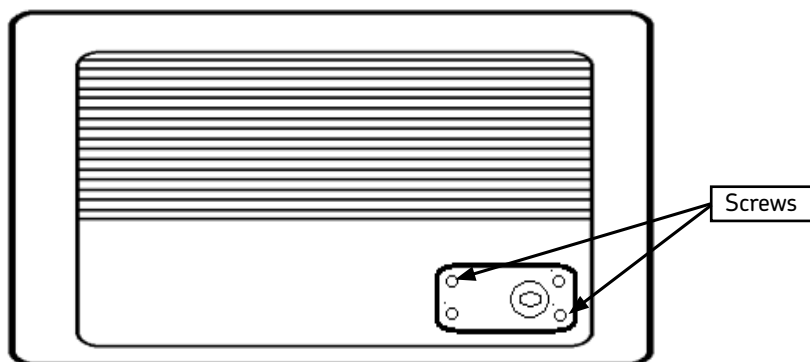


Fig. 1

- A drip loop should be left on the incoming mains cable (see Fig. 2)
- Feed the cable through the compression gland on the rear of the access plate. Ensuring correct polarity is observed, carefully wire as shown in Fig. 3

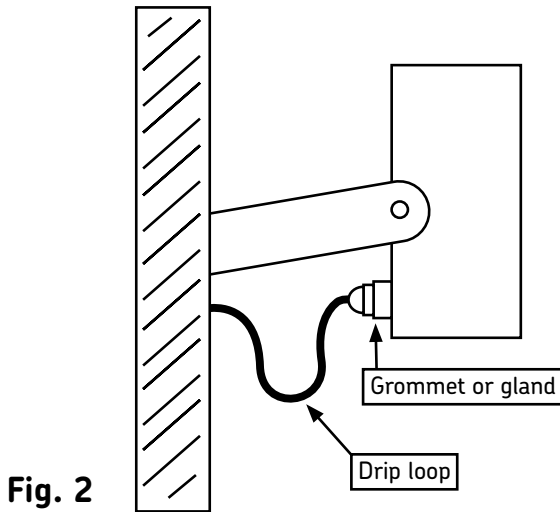


Fig. 2

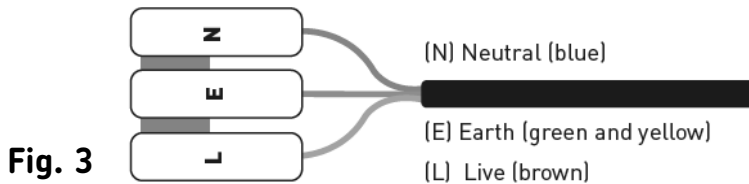


Fig. 3

- Replace the access plate and screws ensuring gasket is in place, then tighten the compression gland ensuring a tight seal to maintain the IP rating
- Switch on and check for correct operation

WARNING

This product must be disconnected from the circuit if subjected to any high voltage or insulation resistance testing. Irreparable damage will occur if this instruction is not followed

GENERAL

The LED lamps fitted in this product are non-replaceable. The unit should be recycled in the correct manner when it reaches the end of its life. Check local authorities for where facilities exist

Clean with a soft dry cloth only, do not use aggressive cleaning products or solvents which may damage the product

This product is non-dimmable

WARRANTY

This product has a warranty of 3 years from date of purchase. Failure to install this product in accordance with the current edition of the IEE Wiring Regulations (BS7671), improper use, or removal of the batch codes will invalidate the warranty. If this product should fail within its warranty period it should be returned to the place of purchase for a free of charge replacement. ML Accessories does not accept responsibility for any installation costs associated with the replacement product. Your statutory rights are not affected.

ML Accessories reserve the right to alter product specification without prior notice.



ML Accessories Limited
LU5 4LT

www.mlaccessories.co.uk

AKSEP19V2