



Testing for emergency luminaires

Recommended routine test procedure in accordance with BS5266

- **Daily check** – check LED charge indicator is illuminated
- **Monthly functional test** – simulate a mains supply failure for approx. 30 seconds by operation of key switch or switching off circuit breaker. Ensure normal supply is restored after test and ensure charge indicator is illuminated
- **Twice yearly, a one hour duration test** – simulate a mains supply failure for a one hour continuous test by operation of key switch or switching off circuit breaker. Ensure normal supply is restored after test and ensure charge indicator is illuminated
- **3 yearly full three hour duration test** – simulate a mains supply failure for a three hour continuous test by operation of key switch or switching off circuit breaker. Ensure normal supply is restored after test and ensure charge indicator is illuminated

If the luminaire fails any of the above tests please contact a qualified electrician

TEST RECORD SHEET											
MONTH	TEST	FIRST YEAR		SECOND YEAR		THIRD YEAR		FOURTH YEAR		FIFTH YEAR	
		SIGNED	DATE	SIGNED	DATE	SIGNED	DATE	SIGNED	DATE	SIGNED	DATE
1	FUNCTIONAL										
2	FUNCTIONAL										
3	FUNCTIONAL										
4	FUNCTIONAL										
5	FUNCTIONAL										
6	1 HOUR										
7	FUNCTIONAL										
8	FUNCTIONAL										
9	FUNCTIONAL										
10	FUNCTIONAL										
11	FUNCTIONAL										
12	3 HOUR										

Installed by:

Installation date:

Contact number:



ML Accessories Limited
 LU5 5TA
www.mlaccessories.co.uk

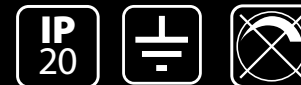
SBAPR17-V2

Knightsbridge®
 the mark of quality

INSTALLATION & MAINTENANCE MANUAL PLD226EM & PLD218EM



18W & 26W emergency conversion kit



54



GENERAL INSTRUCTIONS

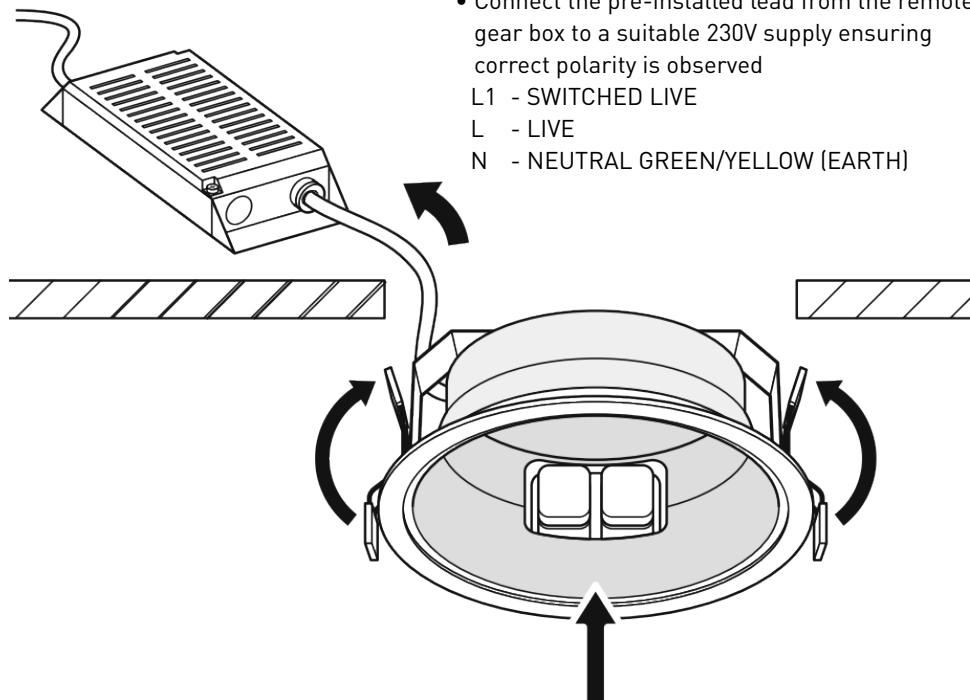
These instructions should be read carefully and retained after installation for further reference and maintenance.

SAFETY

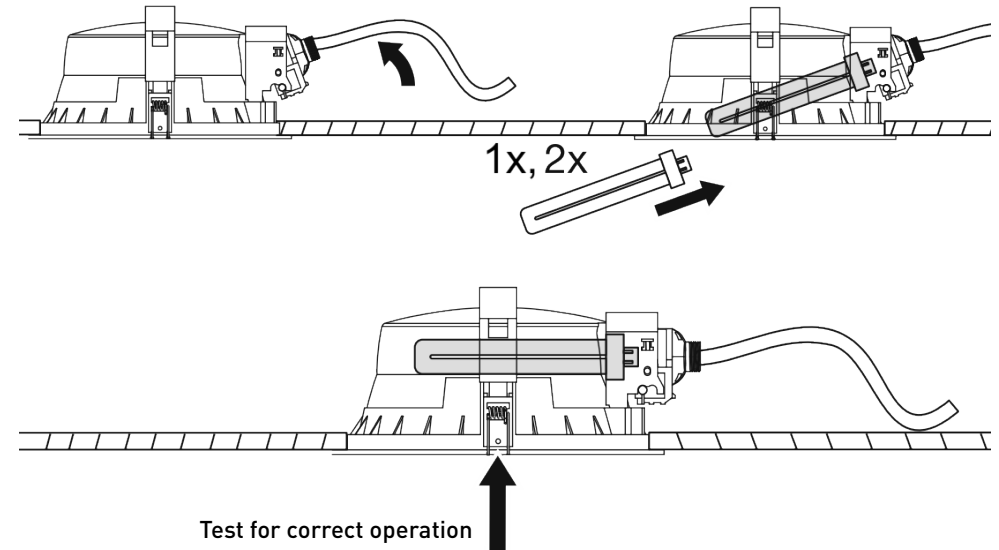
- Before installation/maintenance, ensure that the mains supply to the luminaire is switched off and the circuit fuses are removed or the circuit breakers switched off
- Installation of this luminaire should only be carried out by a qualified electrician to the current IEE Wiring and Building Regulations
- This product is IP20 rated
- This product is class 1 rated and should be earthed
- Check that the total load on the circuit (including when this luminaire is fitted) does not exceed the rating of the circuit cable, fuse or circuit breaker
- Please recycle this unit
- This product is non-dimmable

INSTALLATION

Follow the instructions with the original fitting for product installation. Please follow the instructions below for gear box fitting and wiring



LAMP INSTALLATION / RENEWAL



- To install the lamp(s), tilt the lamp holder(s) down
- Insert the correct 4 pin PL26W or PL18W lamp(s) into the lamp holder(s) depending on the type of fitting: 26W or 18W. Inserting the incorrect wattage lamps could cause irreparable damage
- Push the lamp holder(s) back into position

WARNING

- Luminaires fitted with electronic ballasts are exempt from insulation resistance tests as this may cause damage to the ballast
- If this fitting is to be operated by a PIR, or other automatic controllers, we recommend it be set to a minimum ON time of 20 minutes. A shorter time will reduce the lamp life of the fitting

WARRANTY

This product has a warranty of 1 year from date of purchase. Failure to install this product in accordance with the current edition of the IEE Wiring Regulations, improper use, or removal of the batch codes will invalidate the warranty. If this product should fail within its warranty period it should be returned to the place of purchase for a free of charge replacement. ML Accessories does not accept responsibility for any installation costs associated with the replacement product. Your statutory rights are not affected. ML Accessories reserve the right to alter product specification without prior notice