

INSTALLATION & MAINTENANCE MANUAL
WP10M



GENERAL INSTRUCTIONS

These instructions should be read carefully and retained after installation by the end user for future reference and maintenance.

These instructions should be used to aid installation of the following product:
WP10M

SAFETY

- Installation of this luminaire should only be carried out by a qualified electrician or competent person to the current Building and IEE Wiring Regulations (BS7671)
- Please isolate mains prior to installation/maintenance
- Check the total load on the circuit (including when this luminaire is fitted) does not exceed the rating of the circuit cable, fuse or circuit breaker
- Please note the IP (Ingress of Protection) rating of this luminaire when deciding the location for installation
- This product is Class I and must be earthed
- This product is IP65 rated
- This product is non-dimmable

INSTALLATION

- Provide power to the point of installation. Suitable IP rated junction boxes should be used where required
- Remove the diffuser by loosening the 7 screws on the front of the fitting taking extra care not to lose the rubber screw washers (see Fig 1)

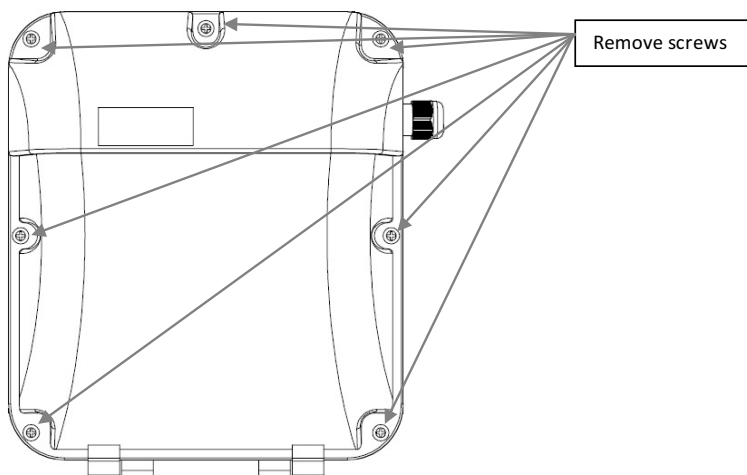
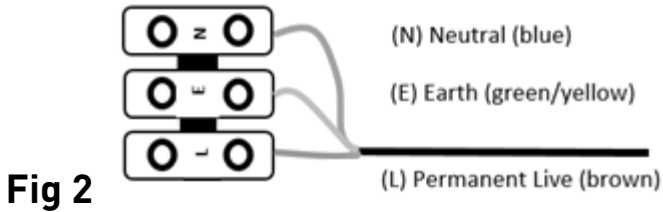


Fig 1

- Mark the location of the fixing holes, and drill the holes ensuring not to infringe with any joists, gas or water pipes or electrical cables
- Feed the cable via the compression gland on the side of the luminaire
- Connect Live (brown), Neutral (blue), Earth (green/yellow) to the 3-way terminal block (see Fig 2)



- See Fig 3 below on how to set up the microwave sensor

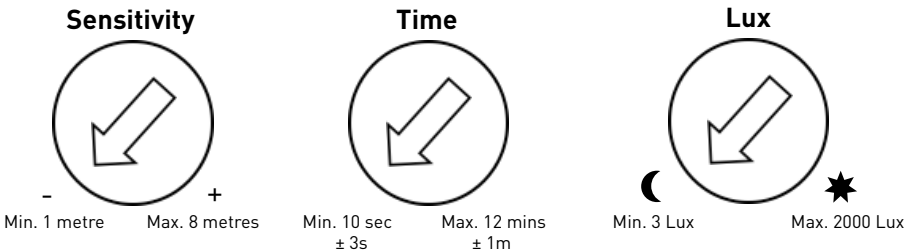


Fig 3

- Refit the diffuser and fasten the 7 diffuser screws
- Switch on power and test for correct operation

WARNING

This product must be disconnected from the circuit if subjected to any high voltage or insulation resistance testing. Irreparable damage will occur if this instruction is not followed.
 This product is unsuitable for installation in or near coastal and marine environments.
 Do not use any source of high pressure washers to maintain or clean this luminaire.

GENERAL

The unit should be recycled in the correct manner when it reaches the end of its life. Check local authorities for where facilities exist.

Clean with a soft dry cloth only, do not use aggressive cleaning products or solvents which may damage the fitting.

WARRANTY

This product has a warranty of 3 years from date of purchase. Failure to install this product in accordance with the current edition of the IEE Wiring Regulations, improper use, or removal of the batch codes will invalidate the warranty. If this product should fail within its warranty period it should be returned to the place of purchase for a free of charge replacement. ML Accessories does not accept responsibility for any installation costs associated with the replacement product. Your statutory rights are not affected. ML Accessories reserve the right to alter product specification without prior notice.



ML Accessories Limited
LU5 5TA
www.mlaccessories.co.uk

SBMAY17_V3